

# corner™ mounting fixture

Corner™ mounting fixtures have a unique 90° angled notch that locks and holds your sign or panel in place without having to drill holes through your sign material.

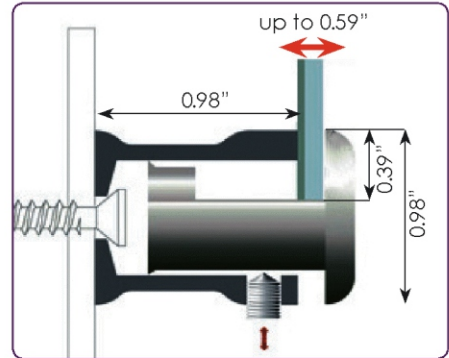


**Features:**

- Material: high quality electroplated brass
- Anti-vandalism feature: locking set screws
- Recommended load per piece: 11 lbs/5 kg  
Note: bottom hardware supports the weight
- Application: indoor or outdoor

**Packaging:**

Sold in sets of 4.  
Drywall anchors.  
Assembly kit included.



Solid Brass	
Finish	Part #
Silver Matte	STD-FC2525-03

D = Diameter L = Length

# border™

Edge gripper hardware with the look of a decorative stand-off designed for easy reuse. Save time and money with easy installation — eliminating the need to drill through expensive signage, panels or glass.

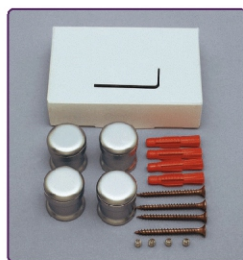
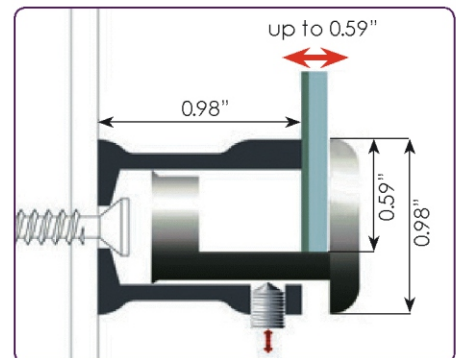


**Features:**

- Material: high quality electroplated brass
- Thin domed cap for sleek appearance
- Anti-vandalism feature: locking set screws
- Recommended load per piece: 11 lbs/5 kg.  
Note: bottom hardware supports the weight
- Application: indoor or outdoor

**Packaging:**

Sold in sets of 4.  
Drywall anchors.  
Assembly kit included.



Solid Brass	
Finish	Part #
Silver Matte	STD-FB2525-03

D = Diameter L = Length