

my pressto™

narrow panel base

MyPressto™ is used with panels to create signpoints, banners and other decorative floor elements. Benefits of Pressto™, but with the option to add a customizable plastic or paper insert.



Features:

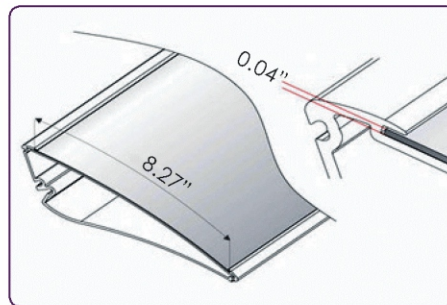
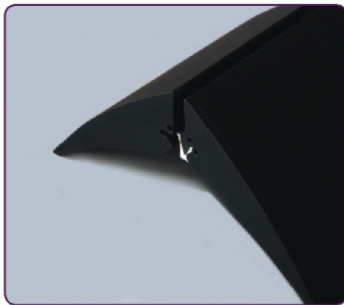
- > Material: Heavy duty anodized aluminum construction
- > Substrates up to 5' high
- > Holds material thickness from 0.04" - 1.18" / 1-30 mm
- > Knurled head screw offers maximum flexibility to safely open and close the profile and secure the display
- > Applications: indoor

Packaging:

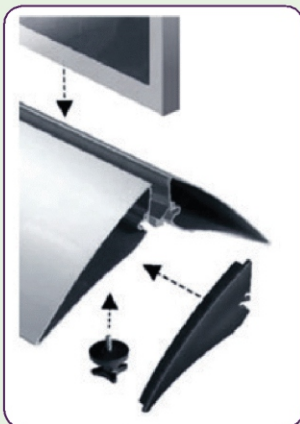
Sold as "each".

Kit includes: bottom base, knurled tightening knob, optional transparent 0.04" piece/lens. Assembly instructions.

Finish	Part #	Length
Black	STD-PRE4-03	15.75"



end caps



Features:

- > Optional black side caps create a finished, cohesive look for either the Pressto™ or MyPressto™ bases.

Packaging:

One set consists of 4 black side caps.

Optional:

Component available for separate purchase:
- sandwich clamp for back-to-back panel mounting



Finish	Part #
Black	STD-PRES-EC-02