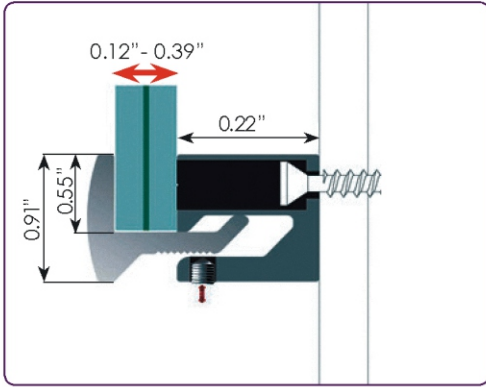


clamper™

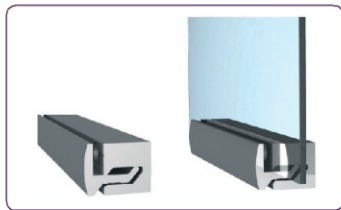
wall mounting fixture

Robust contemporary alternative to stand-offs that accepts a wide range of material thicknesses for secure mounting. Eliminates the need to drill through substrates.



Features:

- Material: silver anodized aluminum
- Holds material 0.12" - 0.39" thick
- Anti-vandalism feature: locking set screws
- Use singularly or in pairs for vertical or horizontal clamping.
- Recommended load: each installation application must be tested individually
- Application: indoor or outdoor
- Available in lengths up to 36".



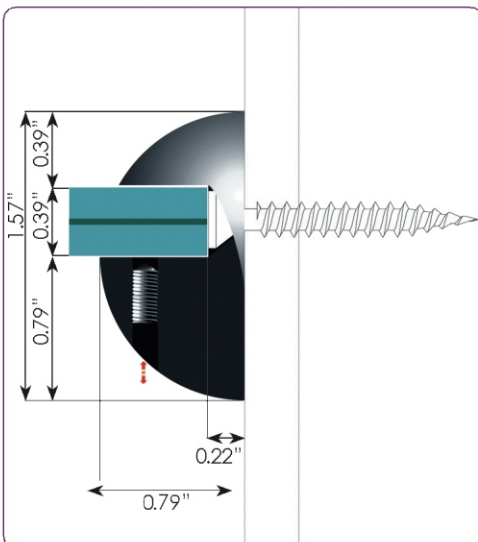
Packaging:

Sold as "each".
Includes drywall anchors.
Assembly kit included.

Solid Aluminum	
Finish - Silver Matte	
Part #	Length
STD-FCL3-3	2.36"
STD-FCL3-4	3.94"
STD-FCL3-8	7.87"
STD-FCL3-12	11.81"
STD-FCL3-16	15.75"
STD-FCL3-24	23.62"
STD-FCL3-36	35.43"

punto™

Punto™ is a unique method to display flag, ceiling, floor and table top signage. Can be used as a display shelf mounted horizontally on the wall.

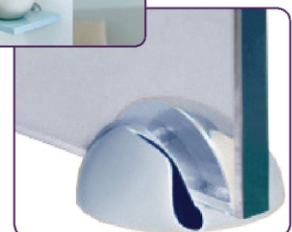
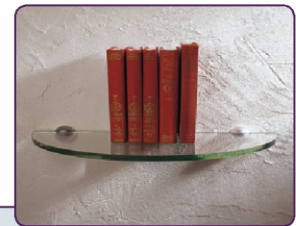



Features:

- Material: high quality electroplated brass
- Holds material up to 0.39" thick
- Great for commercial and residential end-user
- Anti-vandalism feature: locking set screw
- Recommended load per piece: 11 lbs/5 kg
- Application: indoor and outdoor

Packaging:

Sold as "each".
Comes with torque-lock hex wrench.
Drywall anchors.
Assembly kit included.



 Diameter - 1.5"	Part #	Finish
	STD-FPT-03 STD-FPT-09	Satin Silver Chrome