

# elite™

## single panel

Superb, stainless steel Elite™ stand-offs are perfect for outdoor or high humidity surroundings. Sturdy and attractive design for single and double panel signage. Elite™ stand-offs are the most durable choice for demanding architectural design projects.



**Features:**

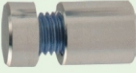
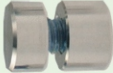
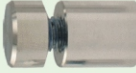


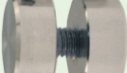


- ▶ Material: stainless steel
- ▶ Sturdy single or double panel support system
- ▶ Application: indoor and outdoor
- ▶ Stainless steel stud extenders available:  
 STD-SS-EXT3 - 5/16" x 3/4" length  
 STD-SS-EXT - 5/16" x 1" length

**Packaging:**







Sold in sets of 4.  
 Drywall anchors.  
 Assembly kit included.

Stainless steel stud extenders are sold separately in packs of four. Stud extenders allow Elite stand-offs to accept substrates that are 3/4" and 1" thick.



<b>Stainless Steel (01)</b>				
	<b>STD-SPF1-01</b> D = .47" L = .59" C = .28" Holds mat'l thickness from 1/8" - 7/16"	<b>STD-SPF2-01</b> D = .59" L = .39" C = .28" Holds mat'l thickness from 1/8" - 7/16"	<b>STD-SPF3-01</b> D = .59" L = .71" C = .28" Holds mat'l thickness from 1/16" - 7/16"	<b>STD-SPF4-01</b> D = .59" L = 1.57" C = .28" Holds mat'l thickness from 0 - 7/16"
				
	<b>STD-SPF5-01</b> D = .75" L = .39" C = .28" Holds mat'l thickness from 1/8" - 3/16"	<b>STD-SPF7-01</b> D = .98" L = .39" C = .31" Holds mat'l thickness from 1/4" - 7/16"	<b>STD-SPF8-01</b> D = .98" L = .79" C = .31" Holds mat'l thickness from 0 - 1/4"	<b>STD-SPF10-01</b> D = .98" L = 1.97" C = .39" Holds mat'l thickness from 0 - 3/8"

## double panel

<b>Stainless Steel (01)</b>			
	<b>STD-DPF1-01</b> D = .47" L = .79" L = .39" C = .28" Holds mat'l thickness from 0" - 1/8" back and 0" - 3/8" front	<b>STD-DPF3-01</b> D = .59" L = 1.18" L = .39" C = .28" Holds mat'l thickness from 0" - 1/8" back and 0" - 3/8" front	<b>STD-DPF4-01</b> D = .59" L = 1.97" L = .39" C = .28" Holds mat'l thickness from 0" - 1/8" back and 0" - 3/8" front
			
	<b>STD-DPF5-01</b> D = .75" L = .59" L = .39" C = .28" Holds mat'l thickness from 0" - 1/8" back and 0" - 5/16" front	<b>STD-DPF6-01</b> D = .98" L = .98" L = .39" C = .39" Holds mat'l thickness from 0" - 3/16" back and 0" - 5/16" front	<b>STD-DPF7-01</b> D = .98" L = 1.97" L = .39" C = .39" Holds mat'l thickness from 0" - 3/16" back and 0" - 5/16" front

D = Diameter L = Length C = Cap Height